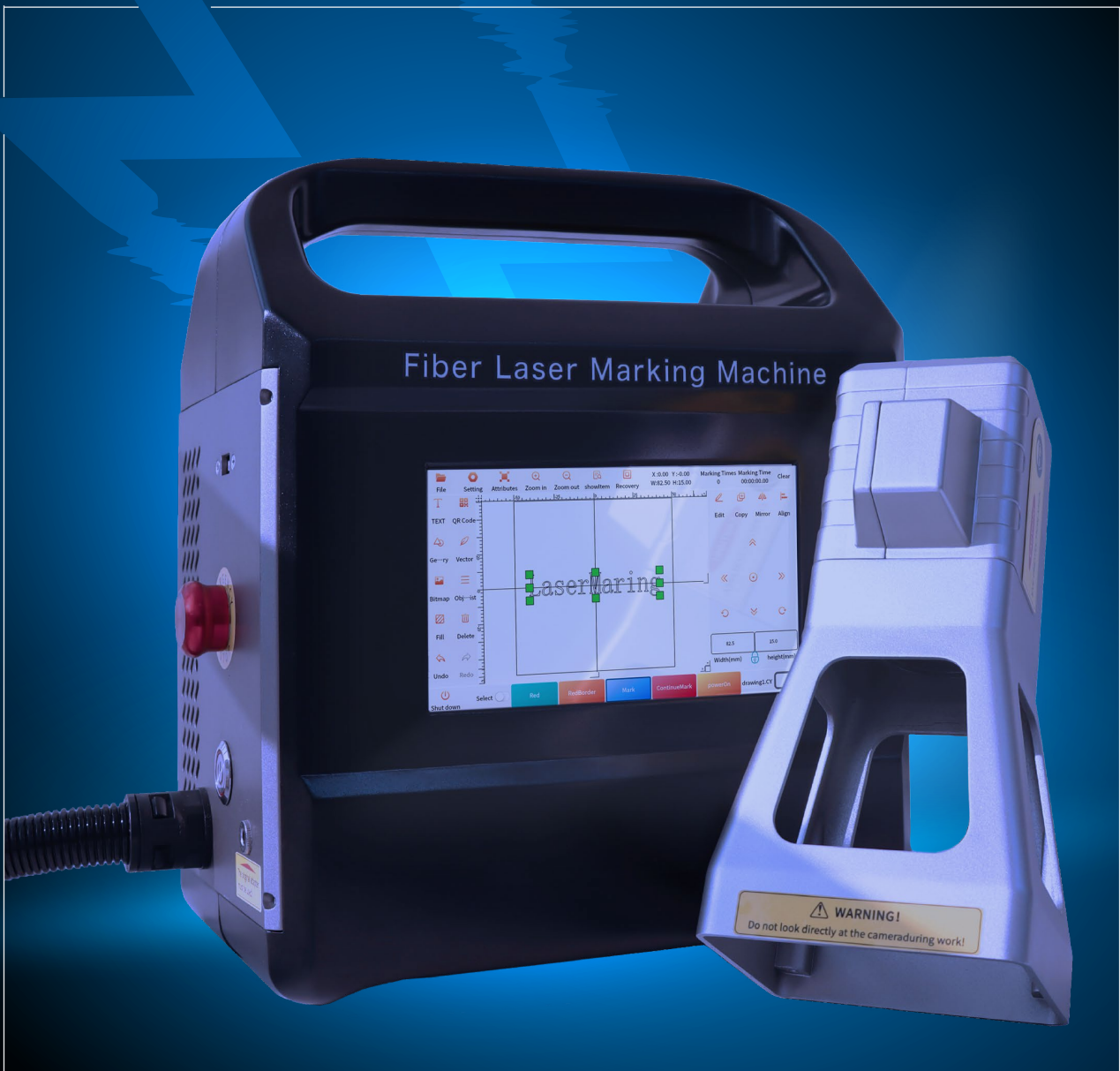


# PORTABLE HANDHELD Fiber Laser Marking Machine Solutions



△Small size and light weight (6.4KG)

△Supports multiple file format types

△Support lithium battery offline marking (6-8H)

△With self-start and stop function,-

prolong the life of lithium battery, the life of laser and galvanometer motor is longer



PORTABLE HANDHELD FIBER LASER MARKING MACHINE

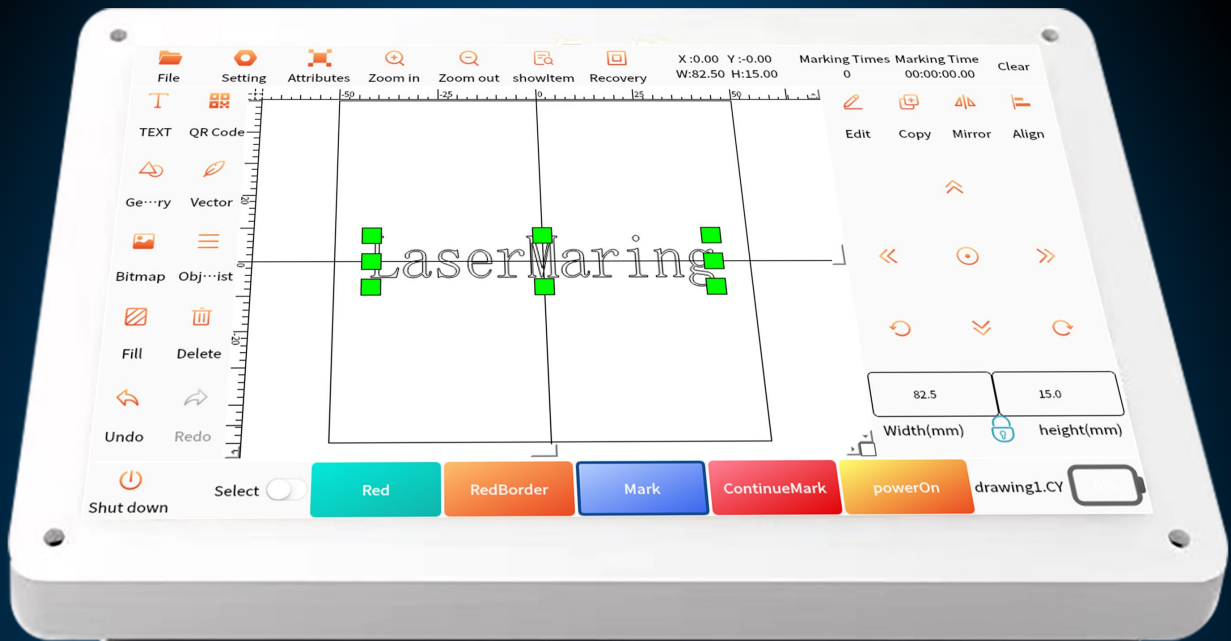
Red light positioning, no need to adjust focus, easier operation, clearer marking



# EMBEDDED LASER INTELLIGENT SCANNING SYSTEM

PRESSURE TRACKPAD FOR EASY GESTURE CONTROL

SUPER DESKTOP SUPER TERMINAL BEYOND IMAGINATION



HD MARKING



PRECISE POSITIONING



TOUCH SCREEN EDITING



U DISK IMPORT



VARIETY OF INTERFACE



## PORTABLE HANDHELD FIBER LASER MARKING MACHINE

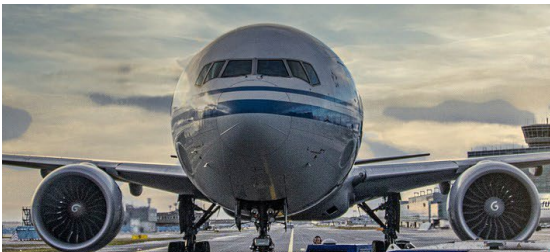
Product Parameters	LMB20/LMB30	LM20/LM30
<b>Machine Material</b>	Engineering plastics	
<b>Laser Type</b>	Fiber Laser Source	
<b>Laser Power</b>	20W/30W	
<b>Laser Wavelength</b>	1064 nm	
<b>Max Pulse Energy</b>	0.7mJ	
<b>Adjustable Frequency Range</b>	1-600 kHz	
<b>Printing Mode</b>	High-precision two-dimensional scanning mode	
<b>Marking Speed</b>	≤7000mm/s	
<b>Operation Interface</b>	Embedded 7-inch touch screen, Linux operating system	
<b>Cooling System</b>	Built-in Air Cooling	
<b>Marking Line Type</b>	Both dot matrix and vector can be used	
<b>Marking Range</b>	60mm×60mm (standard) \ 100mm×100mm (optional)	
<b>Positioning Method</b>	Red Light Positioning	
<b>Marking character position</b>	Any line within the marking range	
<b>Print Speed</b>	600 characters/second (specific speed is related to product material and print content)	
<b>Languages supported</b>	Simplified Chinese, English, Korean, German, Arabic numerals, etc.	
<b>File Format</b>	png、jpg、bmp、 dxf、 plt 、 svg	
<b>Barcode/QR code</b>	CODE25、 CODE39、 CODE49、 CODE93、 CODE126、 CODE128、 EAN13、 EAN128、 PDF417、 CODBAR、 UPCA、 UPCA_CHK、 UPCE_CHK、 DataMatrix、 QRCode, etc.	
<b>Input Voltage</b>	220V/110V	
<b>Maximum Power Consumption</b>	20W 250W-30W 280W	
<b>Machine Net Weight</b>	Weight with lithium battery: 7.8KG	Weight without lithium battery: 6.4KG
<b>battery Life</b>	About 4 hours (lithium battery)	
<b>Charge time</b>	1 hour 30 minutes (lithium battery)	
<b>Adapt to the temperature</b>	0-40°C	
<b>Ambient relative humidity</b>	30 -85 RH (no condensation)	
<b>Appearance size</b>	330mm*280mm*200mm	
<b>Marking type</b>	QR code, barcode, Chinese, English, date, logo, pattern, etc.	





PORTABLE HANDHELD FIBER LASER MARKING MACHINE

## APPLICATION AREA



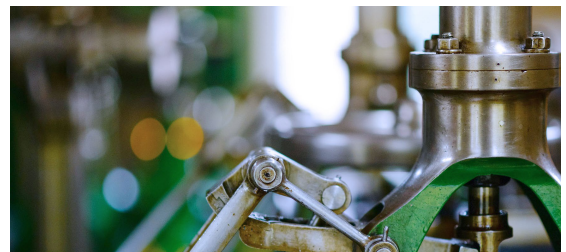
AEROSPACE INDUSTRY



AUTOMOBILE MANUFACTURING  
INDUSTRY



METAL PROCESSING INDUSTRY



CONSTRUCTION MACHINERY  
INDUSTRY

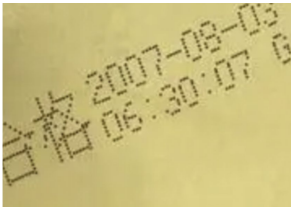


ENERGY INDUSTRY



HOME APPLIANCE INDUSTRY

## SUPPORT MULTIPLE CONTENT



DATE



SERIAL NO



QR CODE



WORD



IMAGE

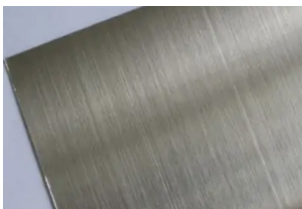


BAR CODE

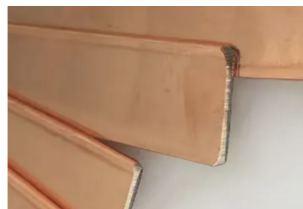
## EASY TO HANDLE ALL KINDS OF MATERIALS

SUITABLE FOR A VARIETY OF PRODUCTION MATERIALS

(metal; Steel, iron, aluminum, zinc, copper, etc., arc, hard plastic, lacquered, paper box, melamine board)



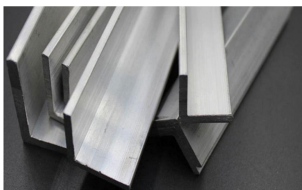
STEEL



COPPER



ZINC



ALUMINUM



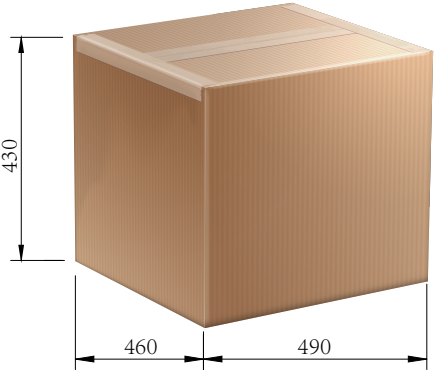
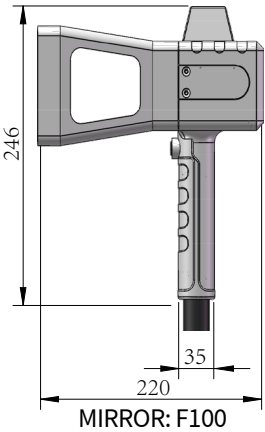
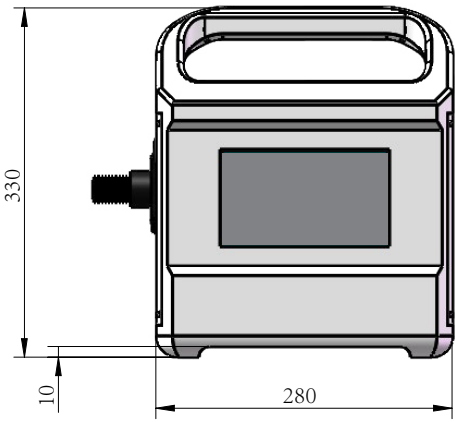
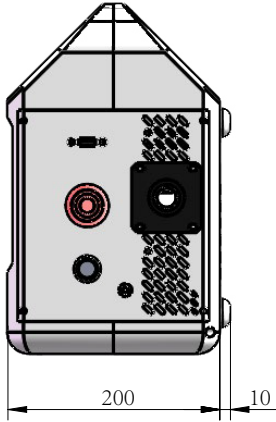
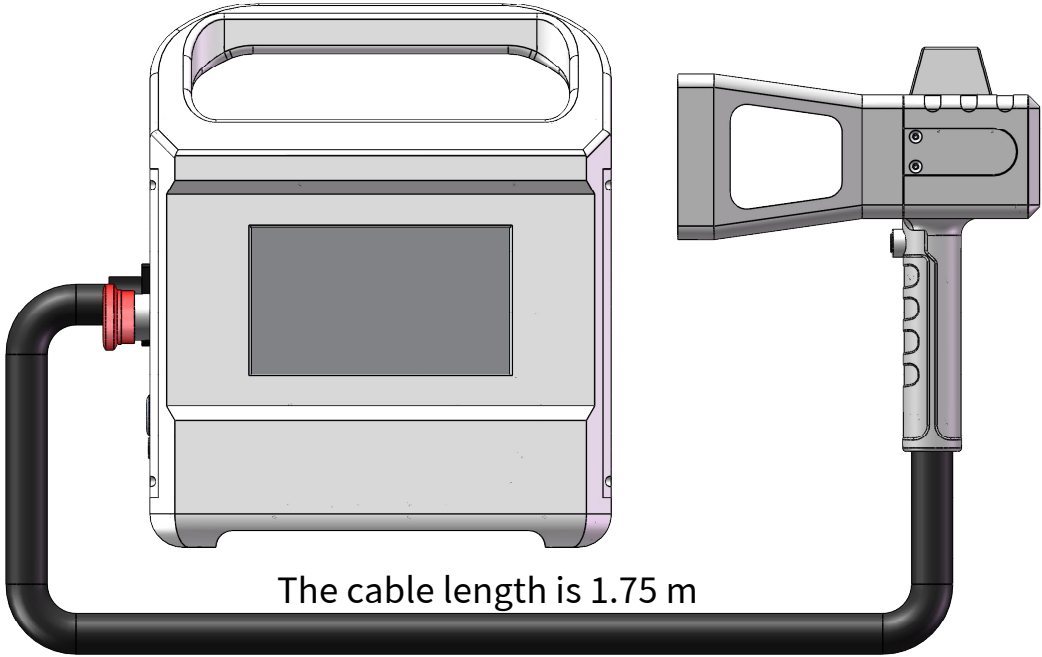
HARD PLASTIC



MELAMINE WOOD  
PLANKS



# EQUIPMENT AND PACKAGE SIZE



OUTER PACKING SIZE: 490\*460\*430mm  
TOTAL WEIGHT AFTER PACKING IS ABOUT 10KG