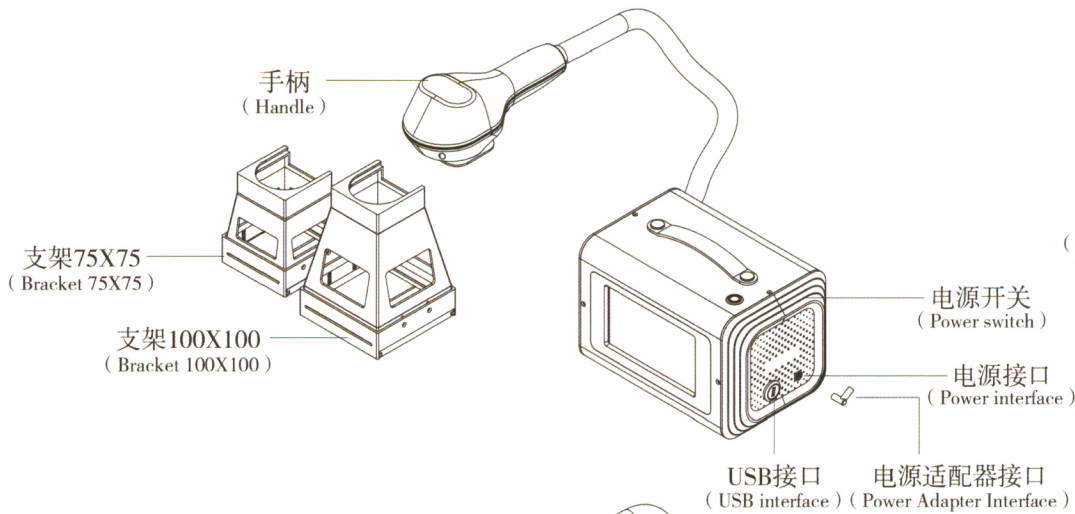


安装操作说明书

Installation and Operation Manual

-- ML-09手持激光打标机 --

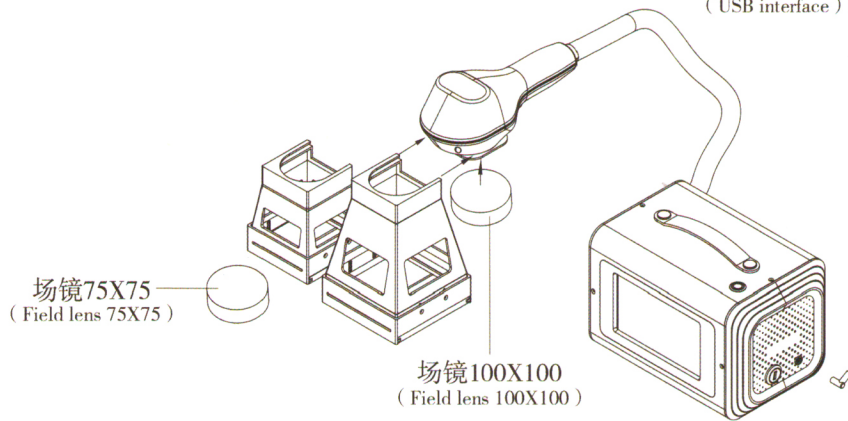
-- ML-09 Handheld Laser Marking Machine --



安装步骤1 (Installation step 1)

将电源适配器接口插入设备电源接口

(Insert the interface of the power adapter into the power interface of the device)



安装步骤2 (Installation step 2)

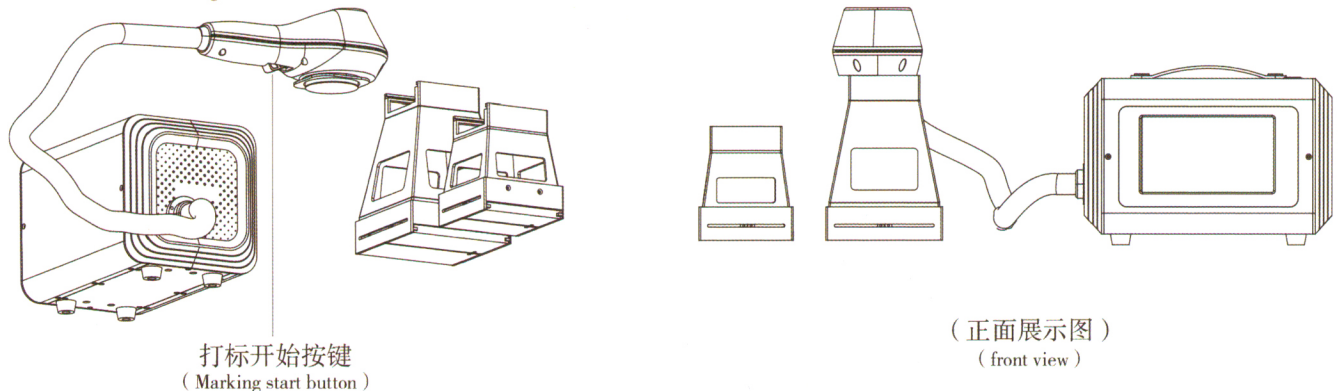
根据打标的尺寸选择合适的支架和配套的场镜，安装在手柄上，如图

(Choose the appropriate bracket and matching field lens according to the size of the marking, and install it on the handle, as shown in the figure)

安装步骤3 (Installation step 3)

按键，开始打标

(Press the button to start marking)



操作步骤 (Operation steps)

安装完成后，按下电源开关，等待机几秒，屏幕进入打标系统界面。根据想要图形，按照界面提示制作。也可事先把要打印的DXF格式的图形或文字储存在U盘。插入设备右侧的USB接口，在系统界面打开文件。把手柄对准需要打标的对象，然后在屏幕点击预览，出现预览红光，没有问题后点击开始打标即可。或按一次手柄上的打标按键，出现预览红光，再次按手柄上的打标按键，开始打标。

After the installation is complete, press the power switch and wait for a few seconds until the screen enters the marking system interface. According to the desired graphics, follow the prompts on the system interface to create. You can also store the graphics or text in DXF format to be printed in the U disk in advance. Insert the U disk into the USB interface on the right side of the device, and open the file on the system interface. Point the handle at the object to be marked, and then click preview on the screen, the preview red light will appear, and click to start marking after the effect is no problem. Or press the marking button on the handle once, a preview red light appears, press the marking button on the handle again to start marking.